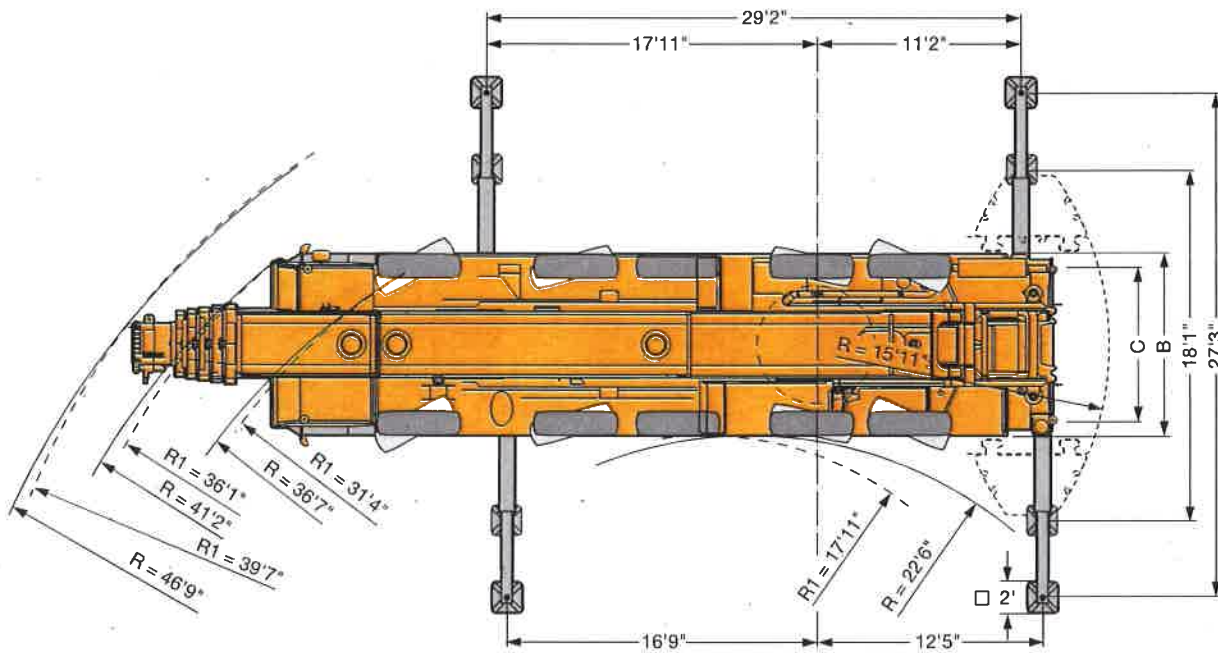
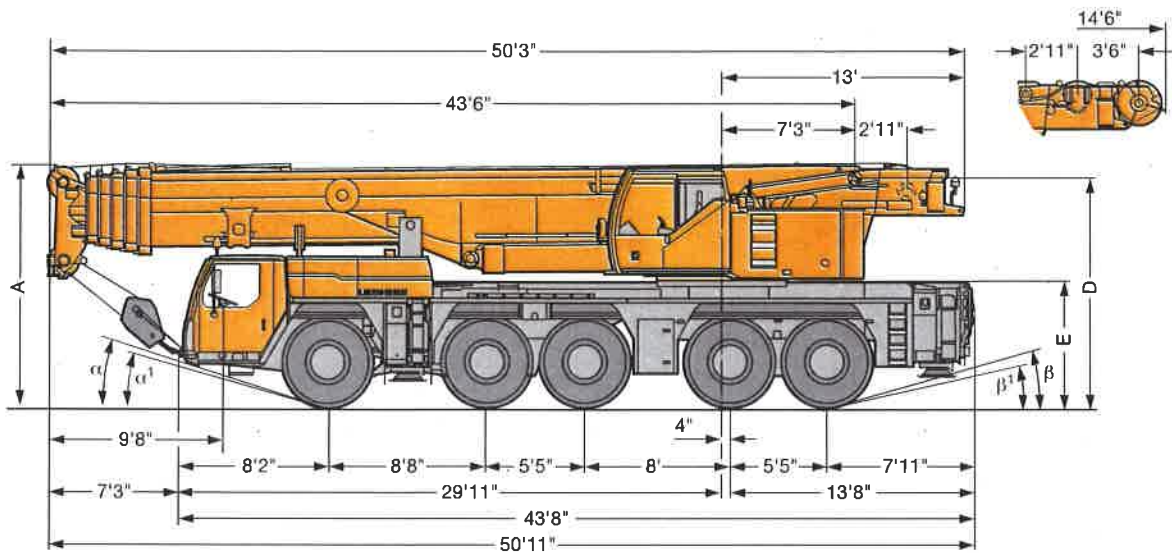


Dimensions Encombrement



US1969

R₁ = All-wheel steering - Direction toutes roues

		Dimensions / Encombrement									
	A	A ₆ *	B	C	D	E	α	α ₁	β	β ₁	
16.00 R 25	13'1"	12'8"	9'10"	8'4"	12'4"	6'9"	20°	16°	17°	14°	
20.5 R 25	13'1"	12'8"	10'2"	8'5"	12'4"	6'9"	20°	16°	17°	14°	

* lowered / abaissé