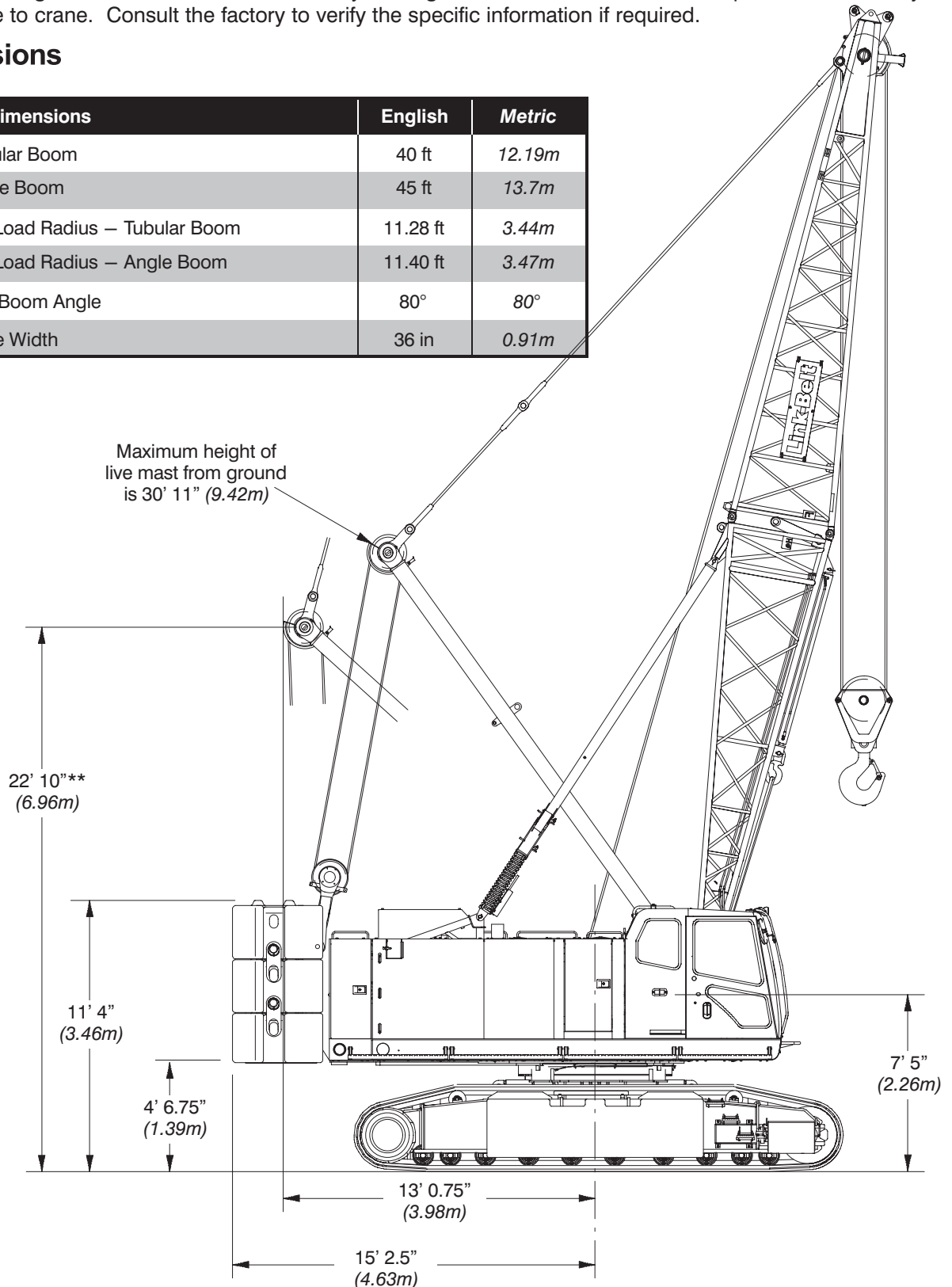


## Crane Specifications

The information in following specifications are general in nature and are for reference purposes only. Depending upon the vintage of the crane, some features may no longer be available. Standard and optional features may vary from crane to crane. Consult the factory to verify the specific information if required.

### Dimensions

General Dimensions	English	Metric
Basic Tubular Boom	40 ft	12.19m
Basic Angle Boom	45 ft	13.7m
Minimum Load Radius – Tubular Boom	11.28 ft	3.44m
Minimum Load Radius – Angle Boom	11.40 ft	3.47m
Maximum Boom Angle	80°	80°
Track Shoe Width	36 in	0.91m



Note: \*\*\*@ Maximum boom angle (80°) with maximum boom, maximum rotation radius occurs.

# Operator's Manual

