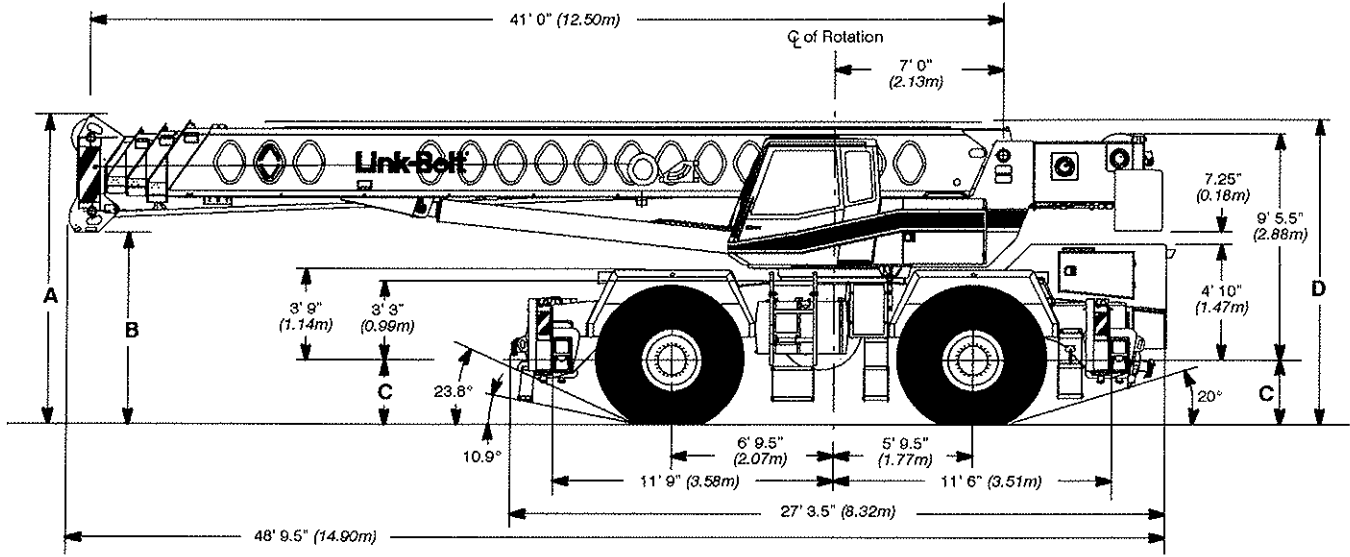


General Dimensions

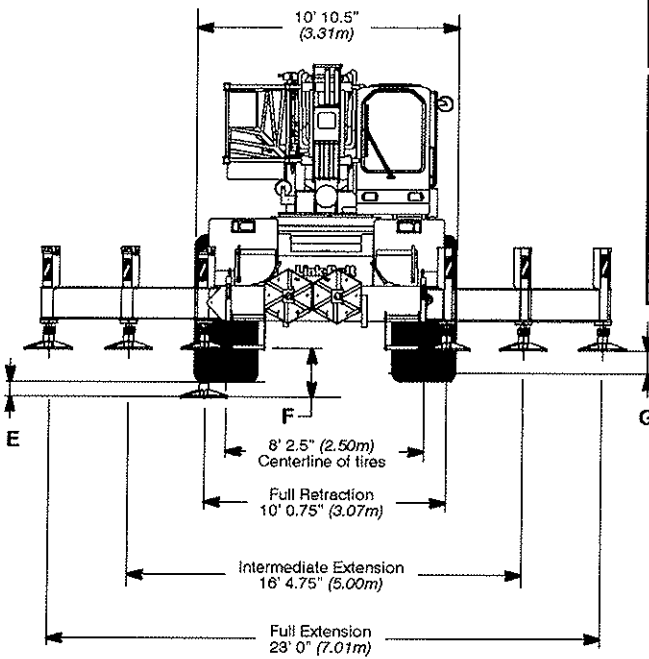


Turning Radius – Front Wheel (4x2) Steering		
	English	Metric
Wall to wall over carrier	49' 10"	15.2m
Wall to wall over boom	58' 3"	17.7m
Wall to wall over boom attachment	60' 2"	18.3m
Curb to curb	48' 3"	14.7m
Centerline of tire	46' 10"	14.3m

Turning Radius – All Wheel (4x4) Steering		
	English	Metric
Wall to wall over carrier	27' 5"	8.4m
Wall to wall over boom	39' 6"	12.1m
Wall to wall over boom attachment	41' 0"	12.5m
Curb to curb	25' 4"	7.7m
Centerline of tire	23' 10"	7.3m

Tail Swing		
	English	Metric
With counterweight	13' 9"	4.2m
Without counterweight	13' 1"	4.0m

General Dimensions	Tire Size			
	29.5 x 25		29.5R25	
	English	Metric	English	Metric
A	12' 10.75"	3.93m	12' 11.75"	3.97m
B	7' 11.5"	2.42m	8' 0.5"	2.44m
C	2' 8"	0.81m	2' 9"	0.84m
D	12' 5"	3.78m	12' 6"	3.81m
E	6.25"	0.21m	7' 0"	0.18m
F	25.25"	0.64m	25.25"	0.64m
G	11.25"	0.29m	12.25"	0.31m



Not To Scale