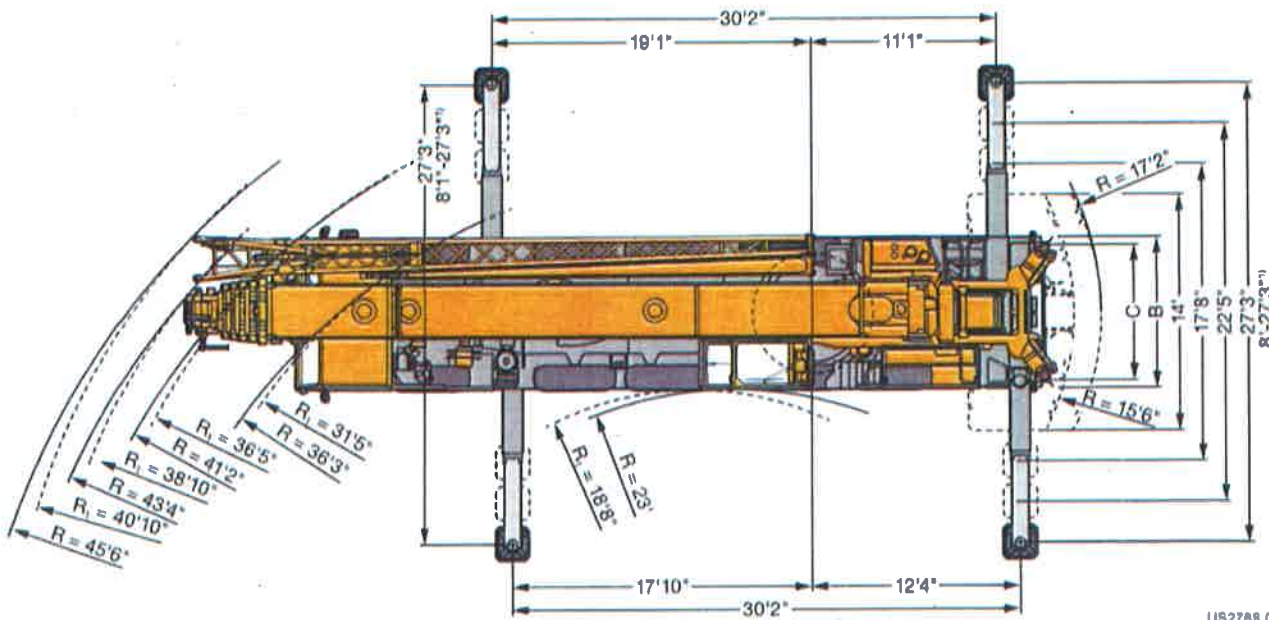
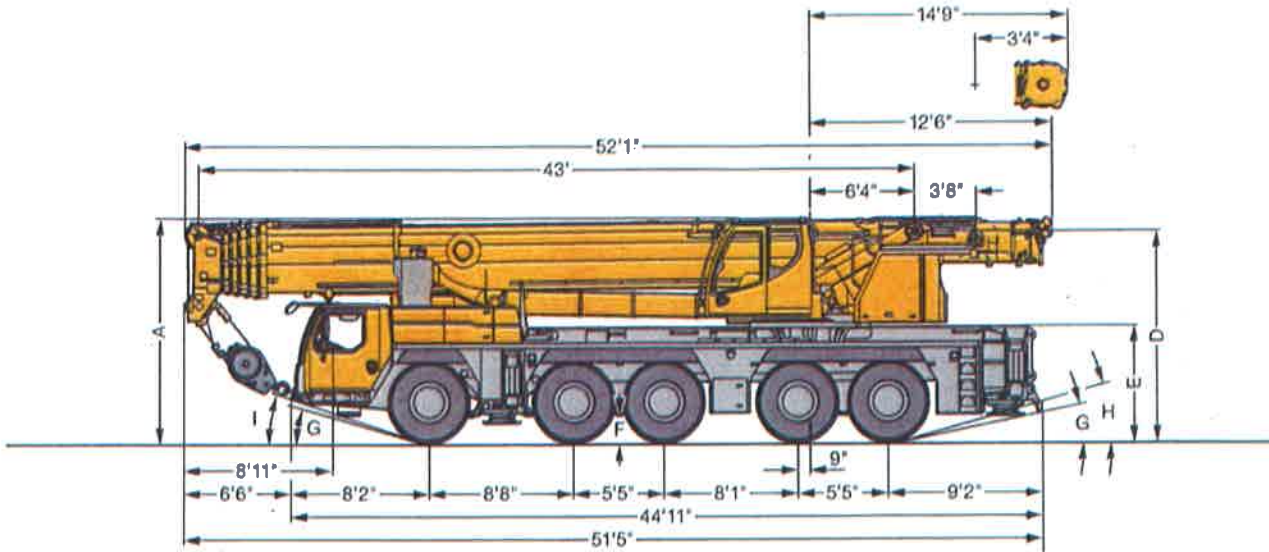


Dimensions Encombrement



US2788.02

R_i = All-wheel steering / Direction toutes roues * only with VarioBase® / seulement avec VarioBase®

Dimensions/Encombrement

	A	A	B	C	D	E	I	H	F	G
445/95 R 25 (18.00 R 25)	13'1"	12'10" 4" ±	9'	7'7"	12'4"	8'9"	18"	10"	1'4"	14"
525/80 R 25 (20.5 R 25)	13'1"	12'10"	9'4"	7'7"	12'4"	6'9"	18"	10"	1'4"	14"

* lowered - abaissé