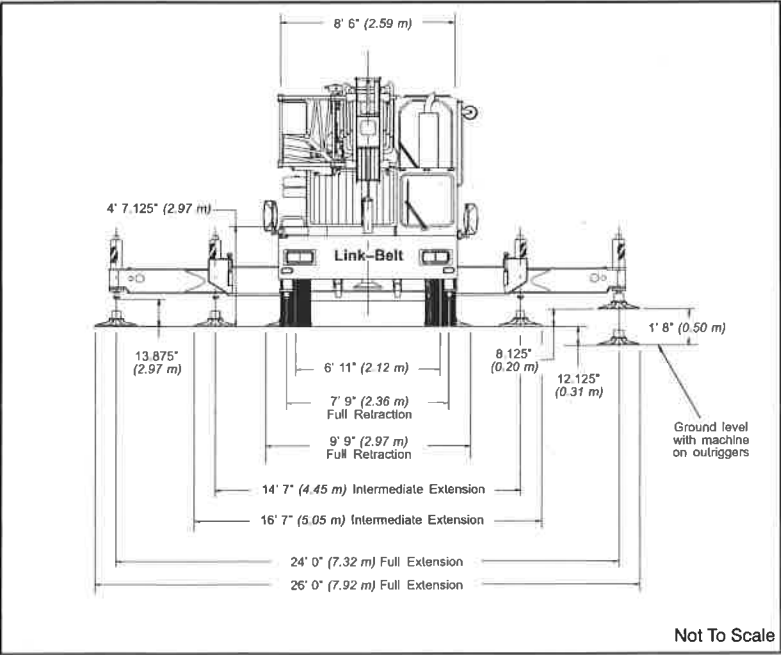
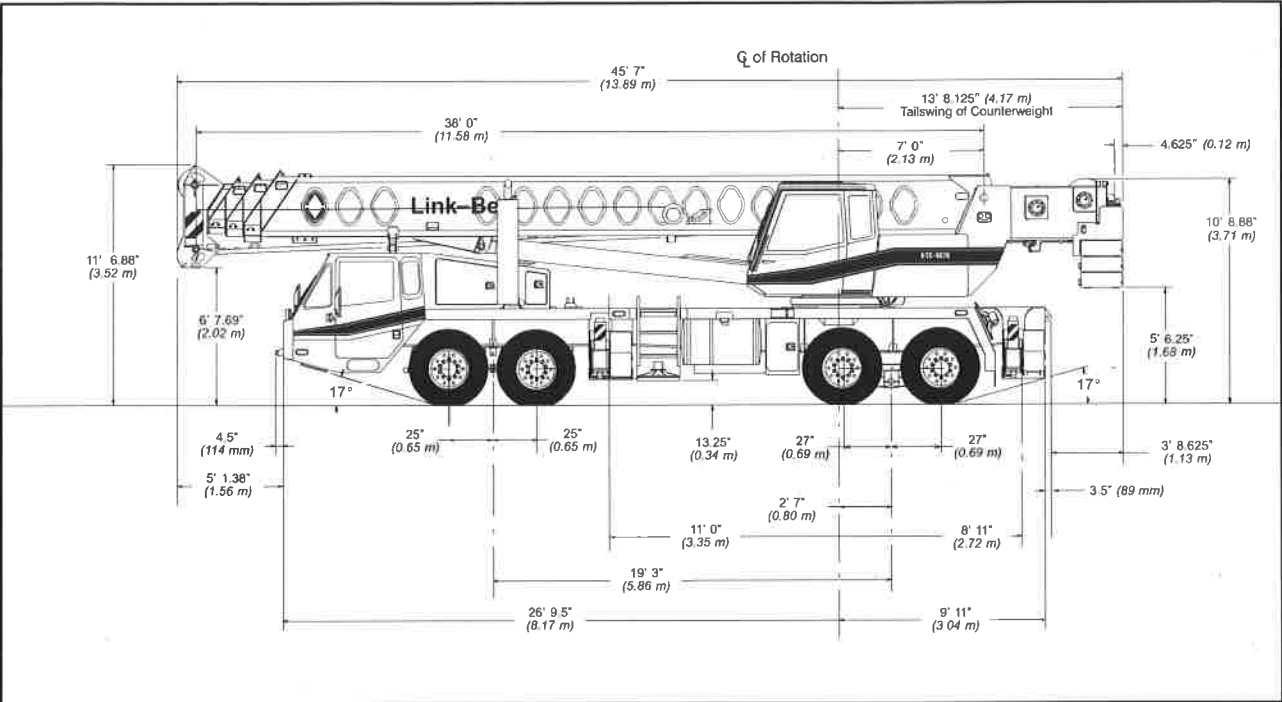


# Specifications

Telescopic Boom Truck Crane

## HTC-8670

70-ton (63.5 metric tons)



| General Dimensions            | feet       | meters |
|-------------------------------|------------|--------|
| Turning radius (wall to wall) | 49' 1.5"   | 14.97  |
| Turning radius (curb to curb) | 41' 10.5"  | 12.76  |
| Ground clearance              | 13.25"     | 0.34   |
| Tailswing                     | 13' 8.125" | 4.17   |