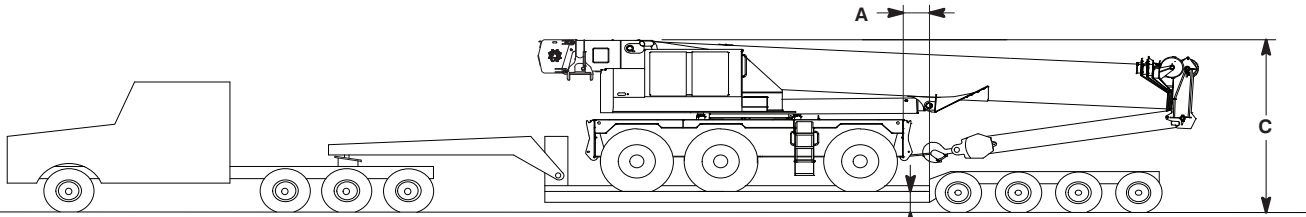


# Transport Configuration and Weights



**Crane Weight: 100,032 lb (45 374kg), equipped with:**

- 42.3–195.3 ft (12.9–59.5m), six section boom
- 80 ton (72.57t) hook block
- Main winch with 900 ft (274m) of 7/8 in (22mm) rope
- Auxiliary winch with 675 ft (206m) of 7/8 in (22mm) rope
- 10–31–55 ft (3.0–9.4–16.7m) offsettable, three piece bi-fold jib
- Hoist drum followers – Main and Auxiliary
- Auxiliary lifting sheave
- Air conditioning
- Hydraulic outrigger pin removal

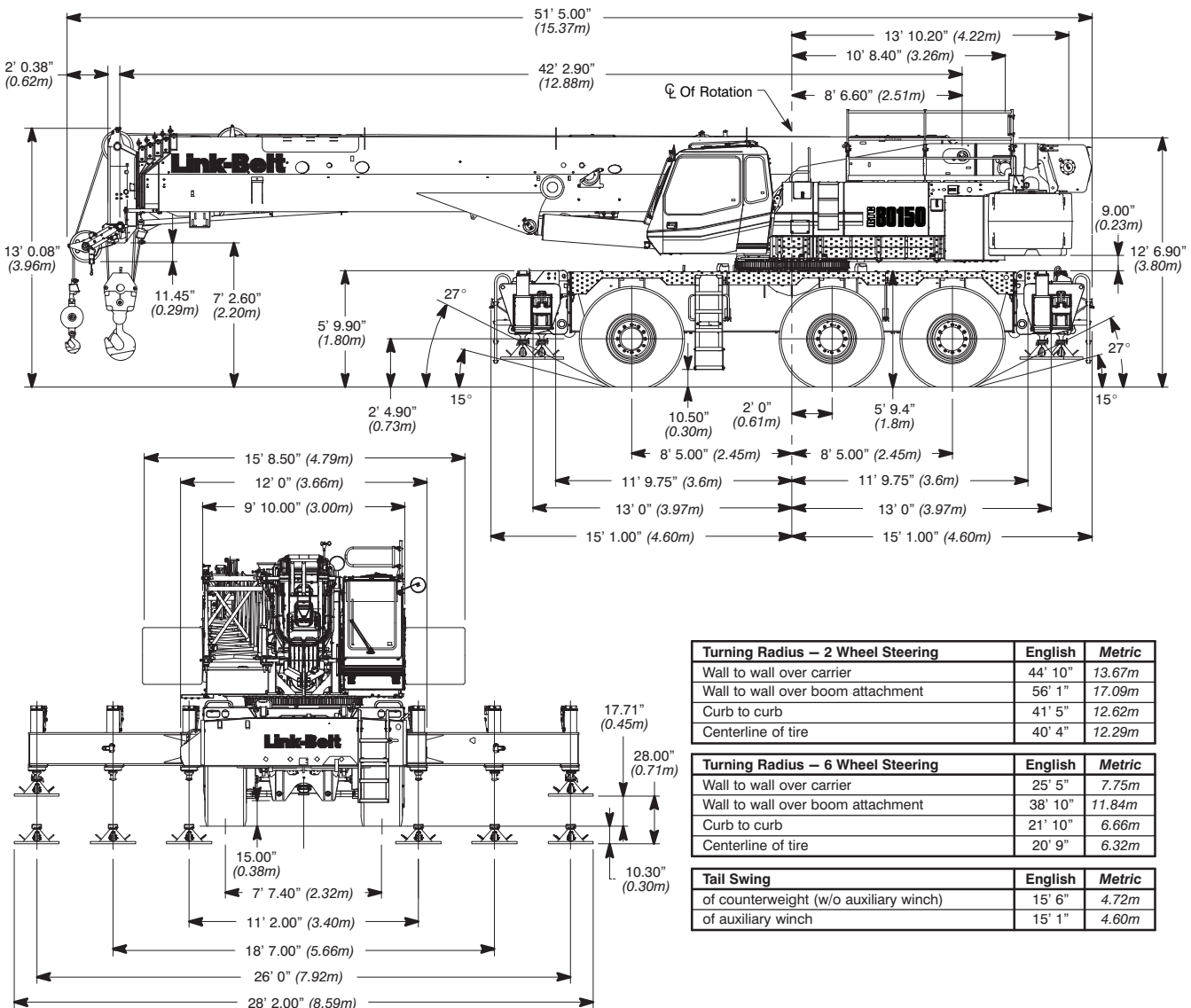
**Axle Group Weights**

Empty Truck Wt.	Bed Length	Steer	Drivers	Trailer	A
50,500 lb (22 906kg)	26 ft (7.92m)	12,500 lb (5 670kg)	59,797 lb (27 123kg)	78,235 lb (35 487kg)	8 in (20.3cm)

B – 18 in (0.46m) or 24 in (0.61m)

	Normal Suspension	Collapsed Suspension
C [with 18 in (0.46m) Trailer]	14 ft 1 in (4.29m)	13 ft 10 in (4.22m)
C [with 24 in (0.61m) Trailer]	14 ft 7 in (4.45m)	14 ft 4 in (4.37m)

# General Dimensions



Turning Radius – 2 Wheel Steering	English	Metric
Wall to wall over carrier	44' 10"	13.67m
Wall to wall over boom attachment	56' 1"	17.09m
Curb to curb	41' 5"	12.62m
Centerline of tire	40' 4"	12.29m

Turning Radius – 6 Wheel Steering	English	Metric
Wall to wall over carrier	25' 5"	7.75m
Wall to wall over boom attachment	38' 10"	11.84m
Curb to curb	21' 10"	6.66m
Centerline of tire	20' 9"	6.32m

Tail Swing	English	Metric
of counterweight (w/o auxiliary winch)	15' 6"	4.72m
of auxiliary winch	15' 1"	4.60m