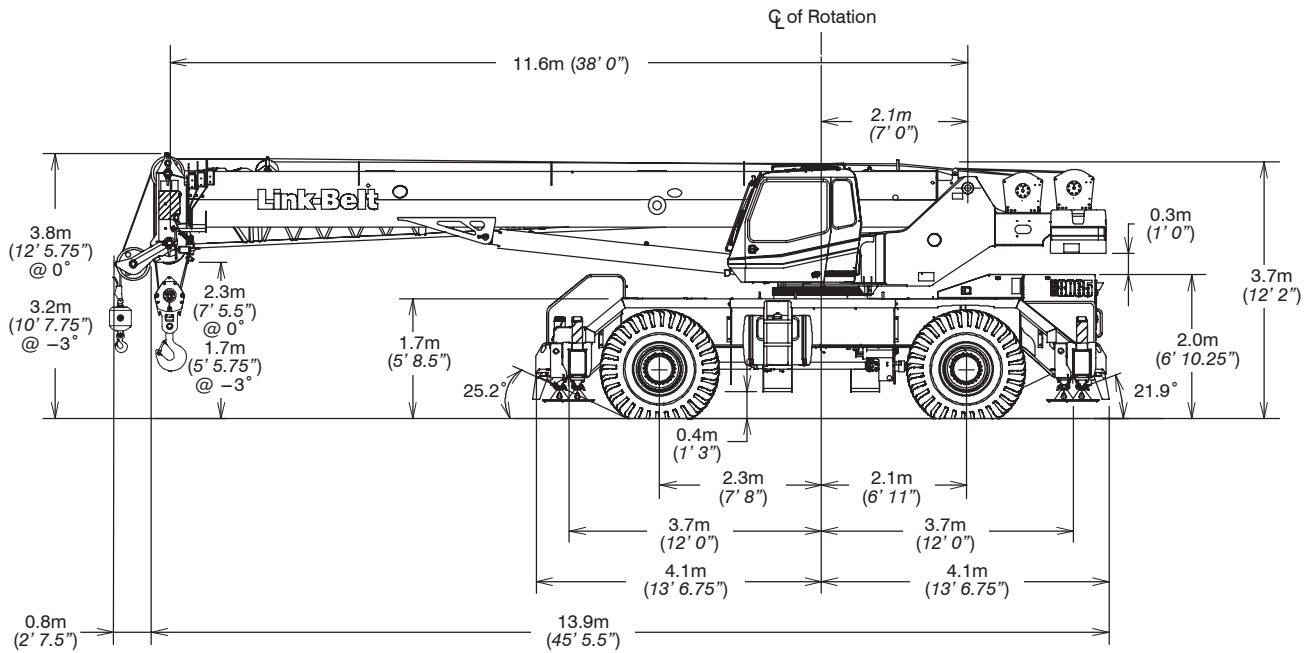


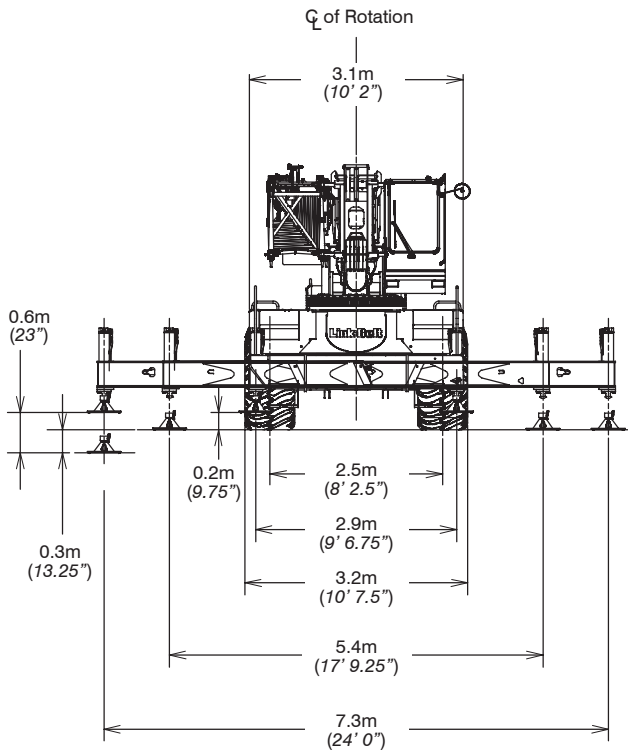
General Dimensions



Turning Radius – Front Wheel (4x2) Steering		Metric	English
Wall to wall over carrier		13.2m	43' 2"
Wall to wall over boom attachment		16.3m	53' 4"
Curb to curb		12.6m	41' 6"
Centerline of tire		12.2m	40' 1"

Turning Radius – All Wheel (4x4) Steering		Metric	English
Wall to wall over carrier		8.1m	26' 6"
Wall to wall over boom attachment		11.6m	38' 1"
Curb to curb		7.6m	24' 10"
Centerline of tire		7.2m	23' 6"

Tail Swing		Metric	English
With counterweight		4.2m	13' 8.25"
Without counterweight		N/A	N/A



Not To Scale