

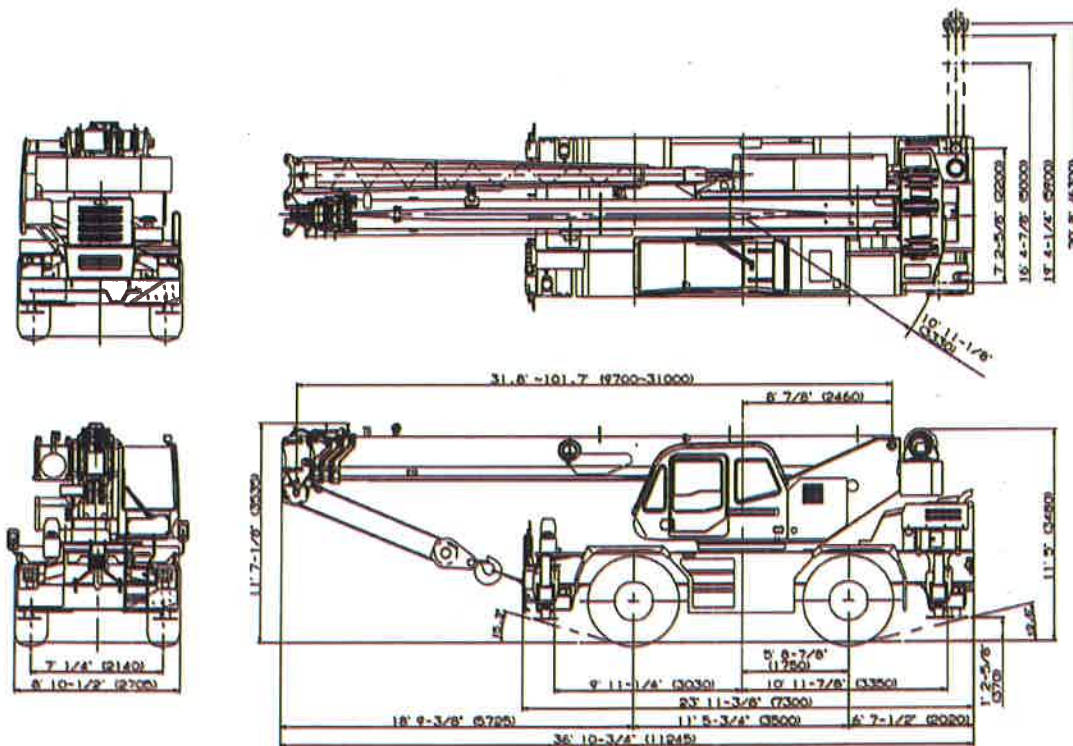


GR-350XL-2

35 Ton Capacity (31.8 Metric Tons)

HYDRAULIC ROUGH TERRAIN CRANE

DIMENSIONS



Note : Dimension is with boom angle at 0 degree.

GENERAL DIMENSIONS (20.5 - 25 Tires)

	Feet	Meters
Turning radius		
4 wheel steer	21' 4"	6.5
2 wheel steer	37' 5"	11.4
Tail swing of counterweight	10' 11-1/8"	3.33

Specifications are subject to change without notice.